



SERVING THE FOOD INDUSTRY SINCE 1951

## Countertop Electric Pasta Cooker with 6L (x2) Capacity

ITEM: 43559  
MODEL: CE-CN-0004-A

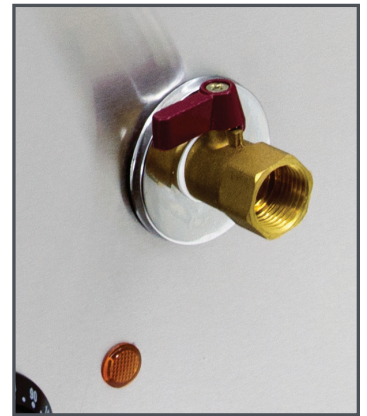


**Maximize your pasta output with this countertop electric pasta cooker.**

This unit is equipped to cook a variety of pasta styles at the same time, thanks to its 4 single-serving baskets. Also, this pasta cooker is easy to clean.

**FEATURES:**

- Durable stainless steel construction
- 6L (x2) capacity
- 4 baskets included
- Non-slip rubber feet



Telephone: 1-800-465-0234

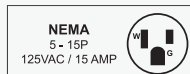
Fax: (905) 607-0234

Email: sales@omcan.com

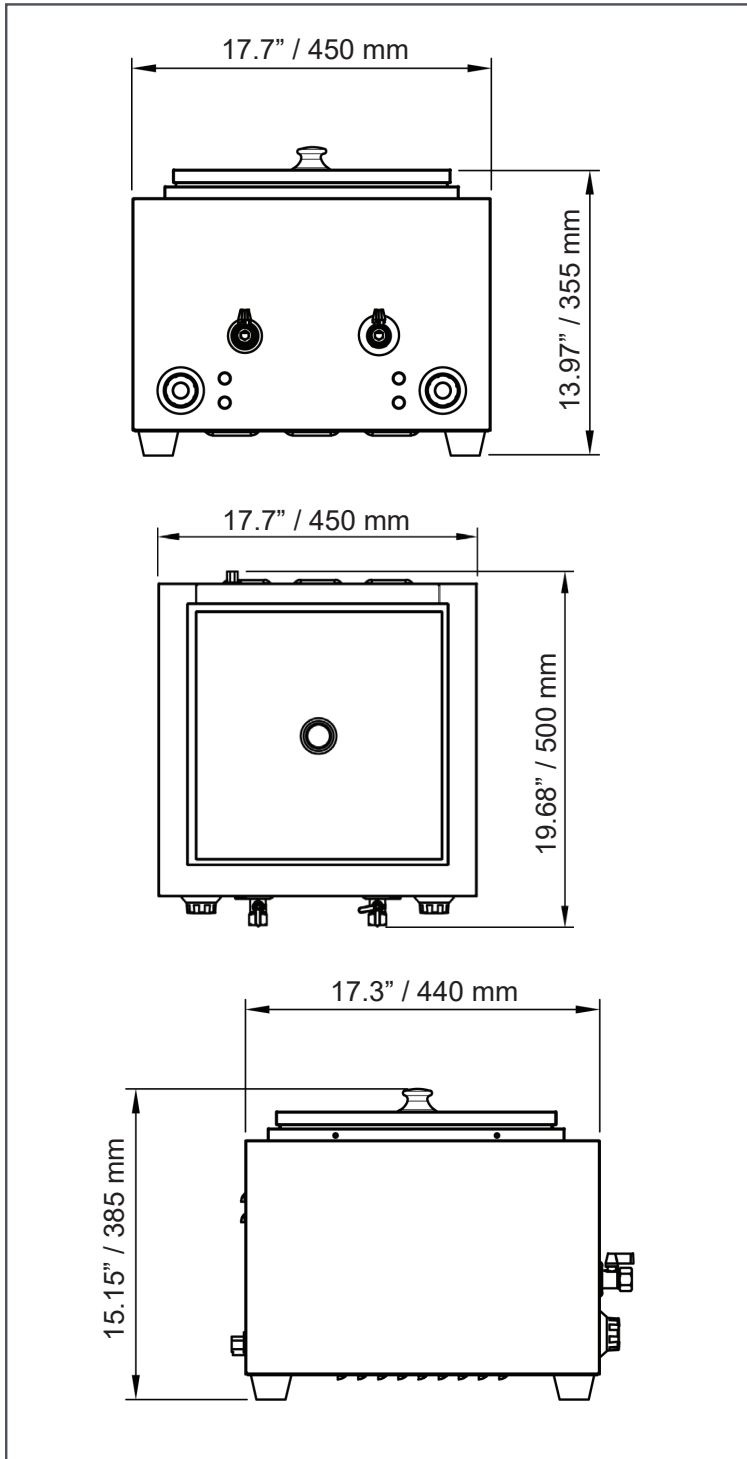
Website: www.omcan.com



Authorized Dealer



## TECHNICAL DRAWING



## TECHNICAL SPECIFICATION

Item	43559
Model	CE-CN-0004-A
Capacity	6L (x2)
Number of Baskets	4
Basket Dimensions (DiaH)	5.43" x 5.5" (138 x 140 mm) Over-all Height with Handle: 13" (330 mm)
Max Temperature	110°C (230°F)
Power	1,200 + 1,200 W
Electrical	120V / 60Hz / 1Ph
Net Weight	25.7 lbs. (11.65 kg.)
Net Dimensions	17.7" x 19.7" x 15.15" (450 x 500 x 385 mm)
Gross Weight	28 lb. (13 kg.)
Gross Dimensions	22" x 20" x 19" (559 x 508 x 483 mm)
Plug Type	NEMA 5-15P